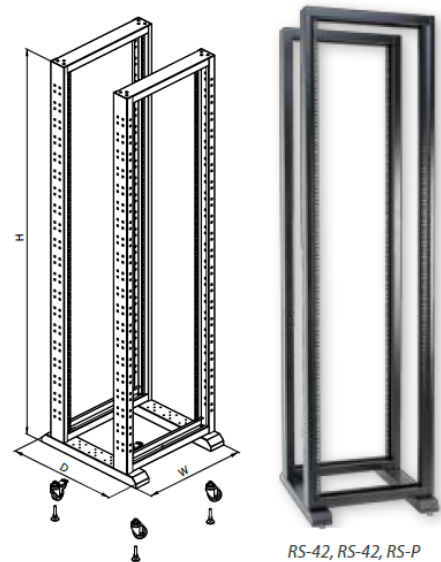


RS series 19" open frames (two-four post)

Description:

The RS series frames are used in closed rooms with controlled access and with suitable operating environment for installed components or wherever racks cannot be used for any reason. These frames are available either in single version (one frame), or in double version (two frames). It differs from the RSM series by its positioning on the base with adjustable feet (castors optionally).



Features:

- Height: 27, 36, 42, 45U
- Width: 559 mm
- Depth: 600 mm (base size)
- Load rating: 200 kg single frame, 400 kg double frame
- IP rating: IP00 - the frame does not provide any protection of the equipment installed
- Colour design: powdered paint RAL 9005

Specifications:

19" TWO POST FRAMES					
H in U	Consist of		W in mm	D in mm	H in mm
	code	pcs			
27U	RS-27	1	559	600	1339
	RS-P	1			
36U	RS-36	1	559	600	1739
	RS-P	1			
42U	RS-42	1	559	600	2005
	RS-P	1			
45U	RS-45	1	559	600	2139
	RS-P	1			

19" FOUR POST FRAMES					
H in U	Consist of		W in mm	D in mm	H in mm
	code	pcs			
27U	RS-27	2	559	600	1339
	RS-P	1			
36U	RS-36	2	559	600	1739
	RS-P	1			
42U	RS-42	2	559	600	2005
	RS-P	1			
45U	RS-45	2	559	600	2139
	RS-P	1			

CROSS-RAIL FOR FOUR POST FRAMES

Description:

- Used for fixing of four post frame
- Set includes one pair of rails
- Made of 2mm sheet steel
- Set of 12 pcs M5x12 screws included
- Color powder coated RAL (standard RAL 9005)



WIRE-MANAGEMENT PANEL FOR FOUR POST FRAMES

Description:

- Used for storing and cable holding between two pairs of 19" vertical extrusions of four post frame
- Made of 1.5mm sheet steel
- Color powder coated RAL (standard RAL 9005)



STABILIZER FOR TWO POST AND FOUR POST FRAMES

- Used for increased sturdiness and stability of the RS open frames
- Assembly hardware included



ACCESSORIES FOR RS FRAMES		
Code	Description	One set includes
RSSD-RAIL	Cross-rail for four post frame	1 pair
RSSD-VP	Wire management panel for four post frame	1 piece
RSSD-BRACE	Stabilizer for two and four post frame	1 pair

Ordering code:

Please contact our sales department at SALES@OPTOKON.COM